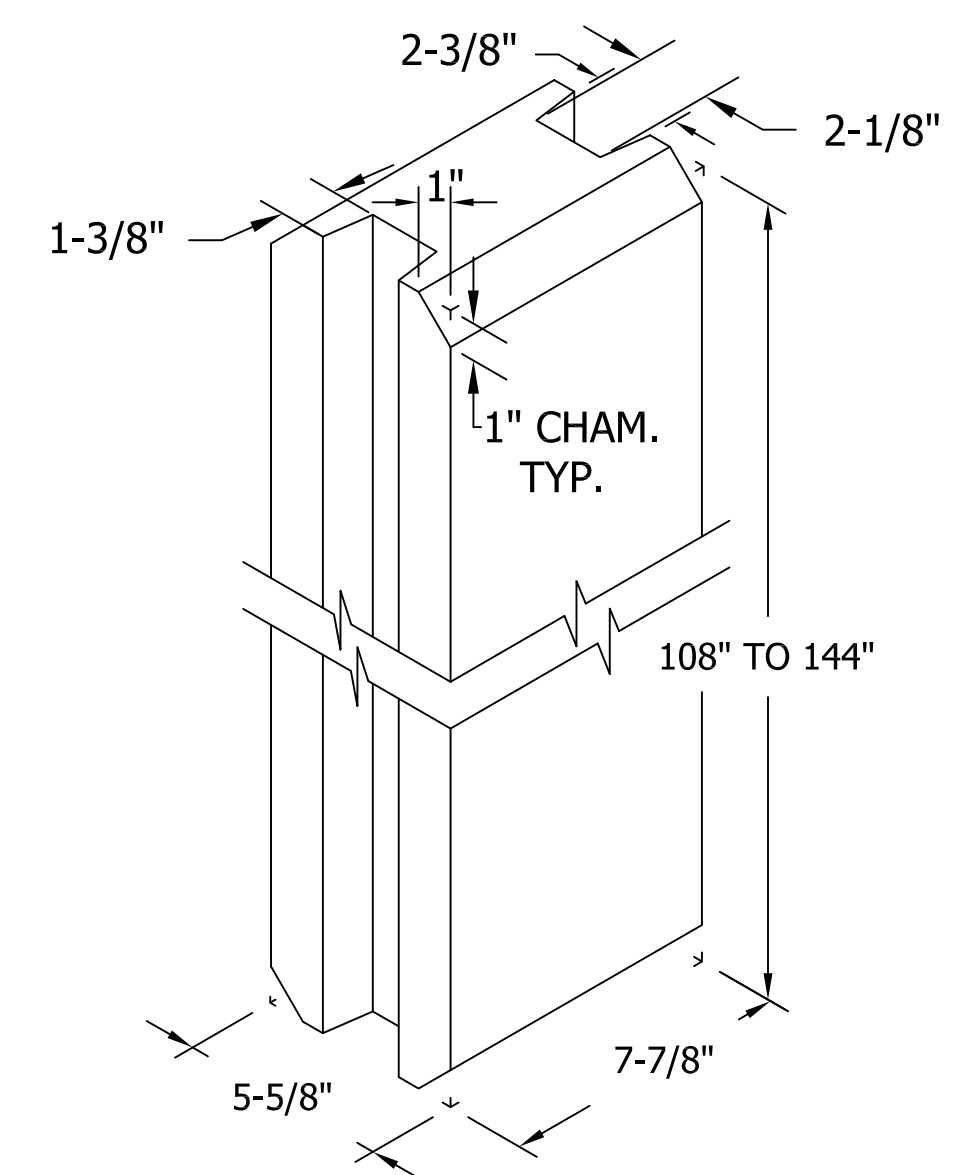
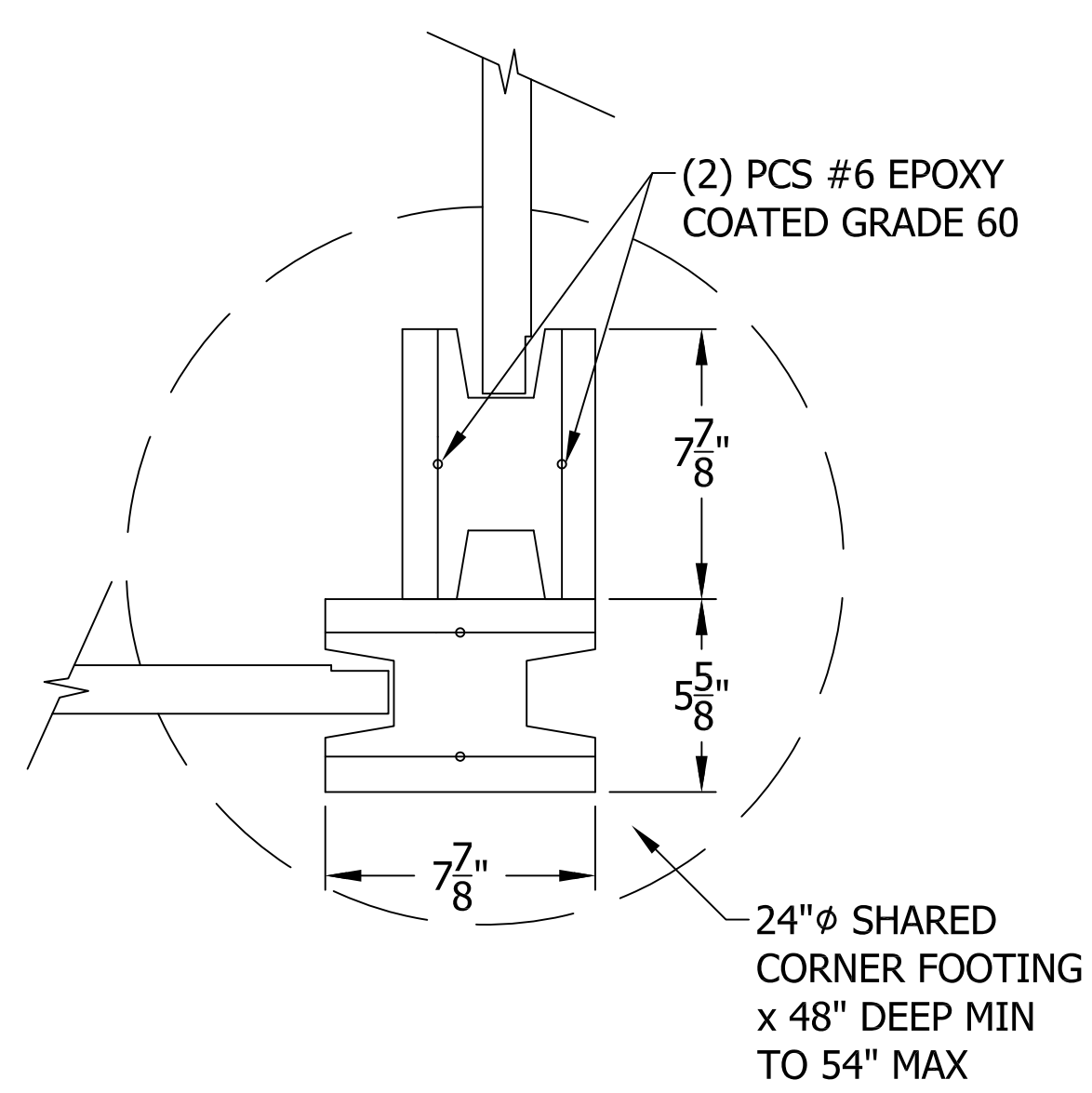


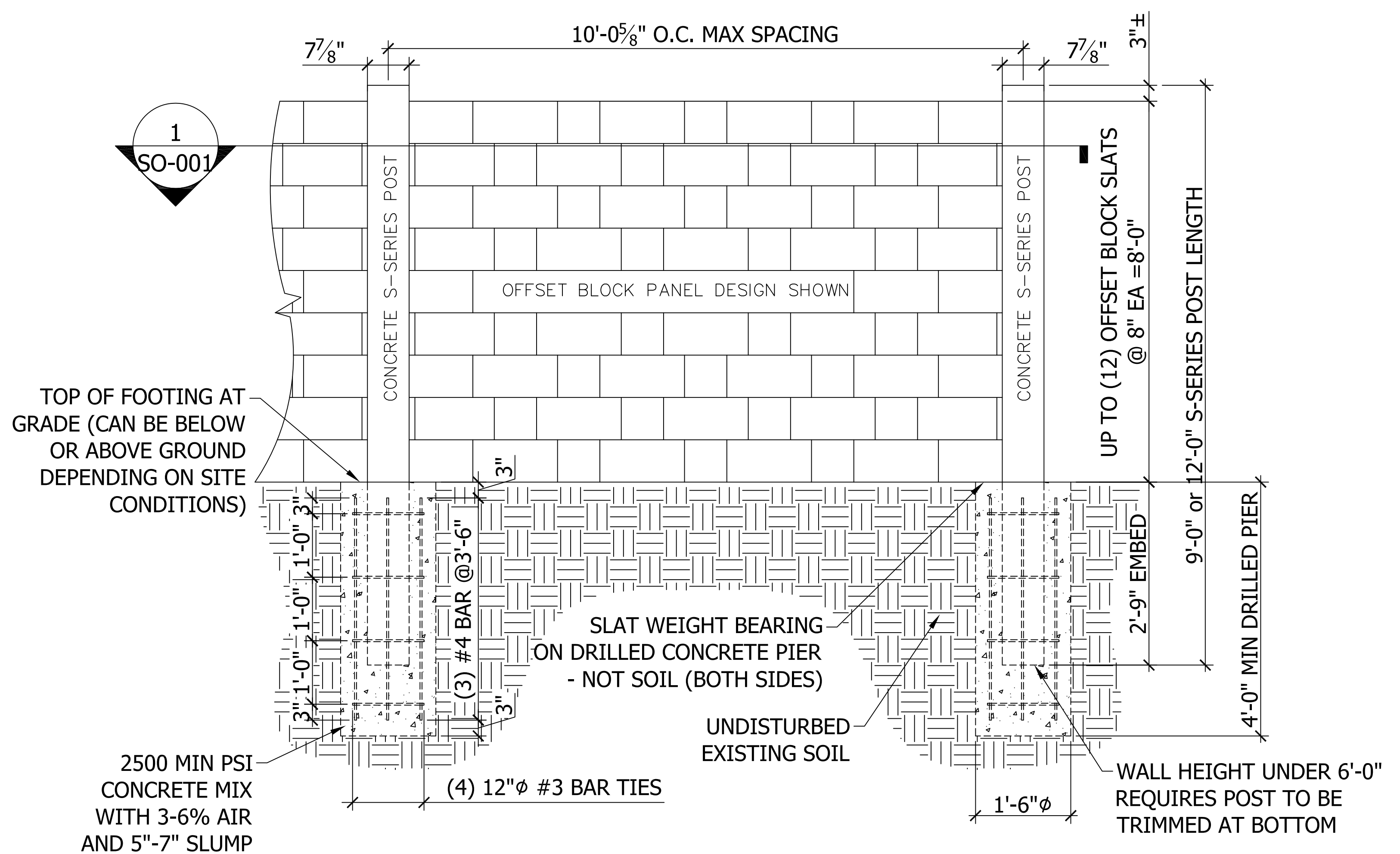
1 S-SERIES WALL PLAN
Scale: 1"=1'-0"



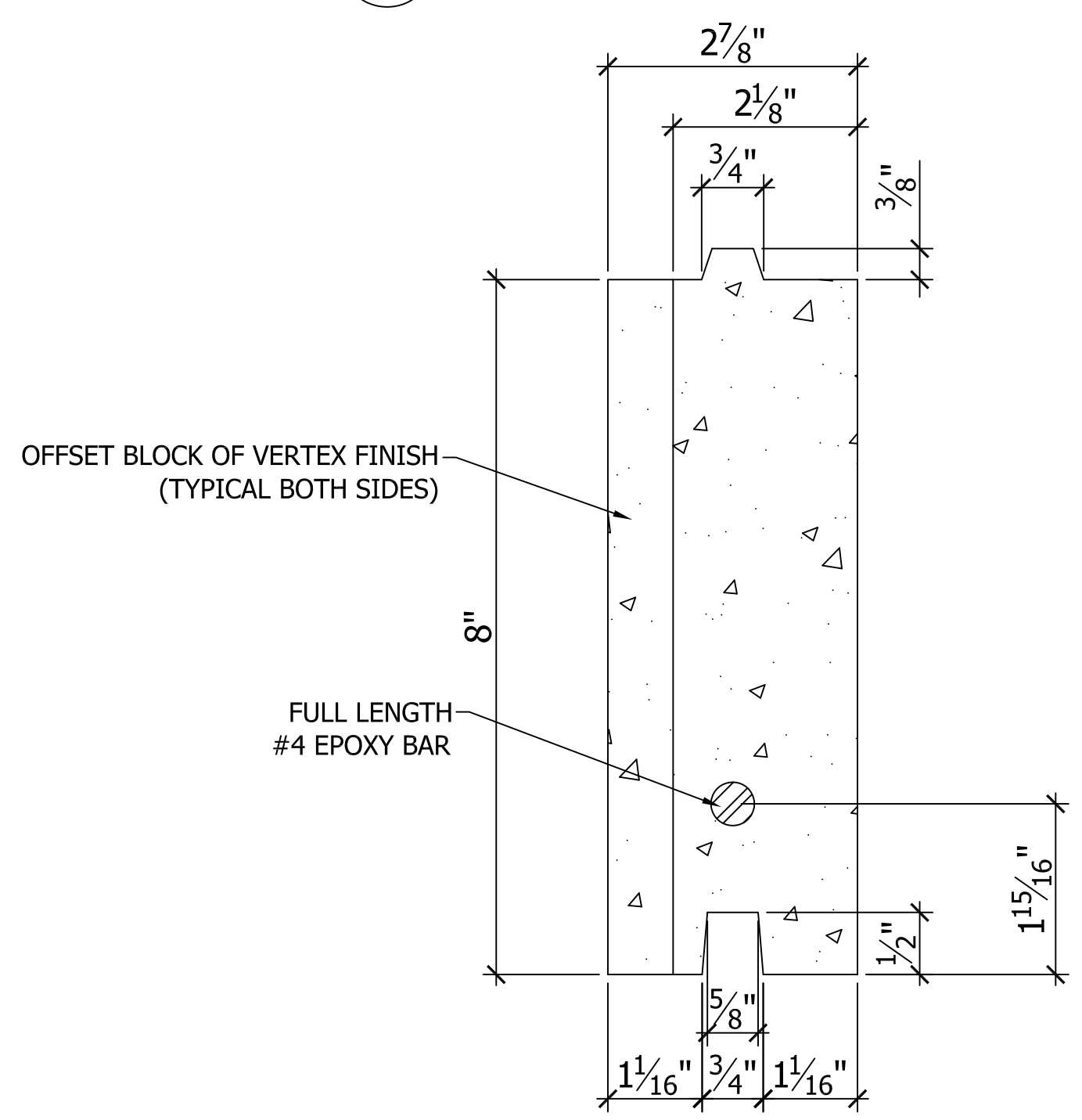
3 POST DETAILS
Scale: NTS



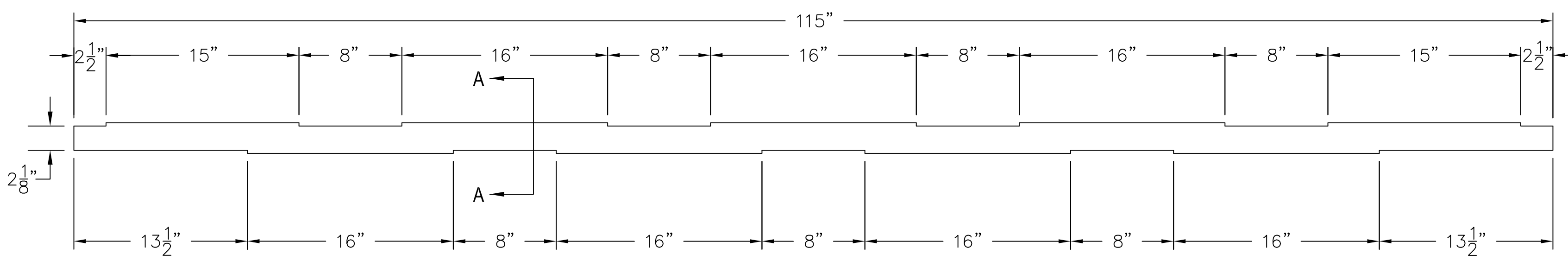
4 CORNER POST DETAIL
Scale: NTS



2 S-SERIES OFFSET BLOCK DESIGN ELV
Scale: 1"=1'-0"

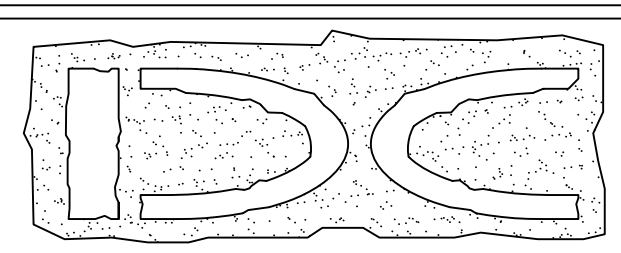


SECTION A-A
SCALE : 6" = 1'-0"



6 S-SERIES OFFSET BLOCK SLAT DIMENSIONS
Scale: 3"=1'-0"

S-SERIES AVAILABLE HEIGHTS- UP TO 8'				
HEIGHT FROM GRADE	FACTORY POST LENGTH	QTY OF DURA-CRETE SLATS REQ'D	COLLABORATIVE WEIGHT OF BAY OF SLATS	FOUNDATION DIMENSIONS, TYPICAL END/ LINE*
0'-8"	9'-0"*	1	130 LBS	18"Ø x 48"
1'-4"	9'-0"*	2	260 LBS	18"Ø x 48"
2'-0"	9'-0"*	3	390 LBS	18"Ø x 48"
2'-8"	9'-0"*	4	520 LBS	18"Ø x 48"
3'-4"	9'-0"*	5	650 LBS	18"Ø x 48"
4'-0"	9'-0"*	6	780 LBS	18"Ø x 48"
4'-8"	9'-0"*	7	910 LBS	18"Ø x 48"
5'-4"	9'-0"*	8	1040 LBS	18"Ø x 48"
6'-0"	9'-0"	9	1170 LBS	18"Ø x 48"
6'-8"	12'-0"*	10	1300 LBS	18"Ø x 54"
7'-4"	12'-0"*	11	1430 LBS	18"Ø x 54"
8'-0"	12'-0"	12	1560 LBS	18"Ø x 54"
	* = POST BOTTOM CUT			*BASED ON NOTED SOIL MINIMUM CONDITIONS

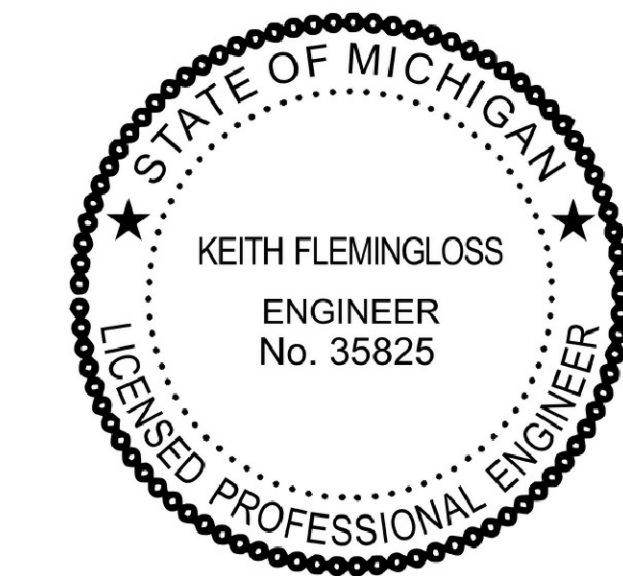


DURA-CRETE
23450 REGENCY PARK DRIVE
WARREN, MI 48089
PHONE (586)-759-4286
FAX (586)-759-4395
www.DURA-CRETE.net info@DURA-CRETE.net

PRECAST CONCRETE BARRIERS AND SOUND WALLS

- TYPICAL NOTES:
- ALL REBAR CAST WITHIN SLATS OR POSTS TO BE PER ASTM A615 GRADE 60 EPOXY COATED BARS.
 - PANEL REINFORCEMENT A MINIMUM OF (1) #4 FULL LENGTH
 - POST REINFORCEMENT A MINIMUM OF (2) #6 FULL LENGTH
 - ALL FOUNDATION REBAR TO BE DETERMINED BASED ON SITE, SOIL AND/ OR ENGINEERING CONDITIONS.
 - MINIMUM FOUNDATION SPECS AS FOLLOWS:
 - 18" DIAMETER BY 48" DEEP MIN AND 54" MAX IN UNDISTURBED SOIL OR INTO BACKFILLED GRANULAR MATERIAL WITH 95% PROCTOR DENSITY COMPACTION.
 - (4) #4 VERTICALS WITH (4) #3 TIES- GRADE 60
 - 2500PSI COMPRESSIVE STRENGTH CONCRETE AT 28 DAYS WITH 4%-7% AIR ENTRAINMENT AND 3"-5" SLUMP.
 - PLACEMENT OF REBAR TO FOLLOW CURRENT ACI 318 GUIDELINES
 - SOIL CONDITIONS ALLOWABLE AVERAGE SOIL STRESS FOR LATERAL DESIGNS, S1= 1000PSF MIN.
 - STANDARD WIND EXPOSURE CATEGORY B= 115MPH
 - GEOTECHNICAL EVALUATION, SOIL BORING AND SITE TESTING MAY BE REQUIRED PER YOUR CITY'S GUIDELINES.
 - GOVERNING BUILDING CODES:
 - MICHIGAN BUILDING CODE BASED ON IBC, LATEST EDITION- OCCUPANCY CATEGORY II
 - OTHER APPLICABLE CODES:
 - ASCE/ SEI 7-10
 - ACI 318-08
 - ANSI/ AISC 360-10

JOB SPECIFIC NOTES:



Keith Fleming

3/23/16	SEALED	
11/5/14	FOR FILE	
REV #	DATE	DESCRIPTION

DRAWN BY: CA CHECKED BY: RR FIELD MEASURED:

DATE: 11/5/14 DATE: 11/5/14 DATE:

SHEET TITLE:
S-SERIES OFFSET BLOCK DETAILS

SHEET NUMBER:

SO-001