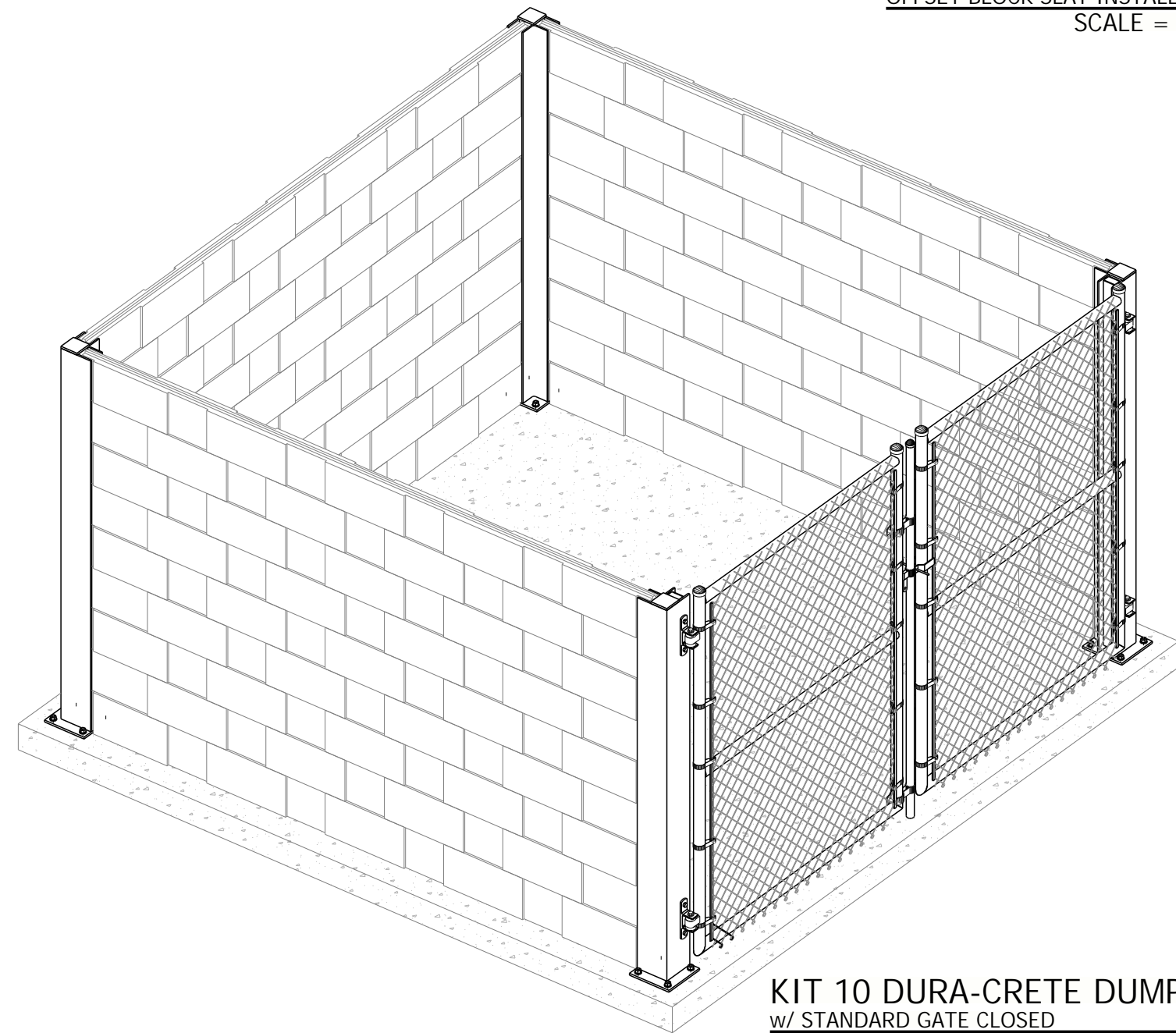
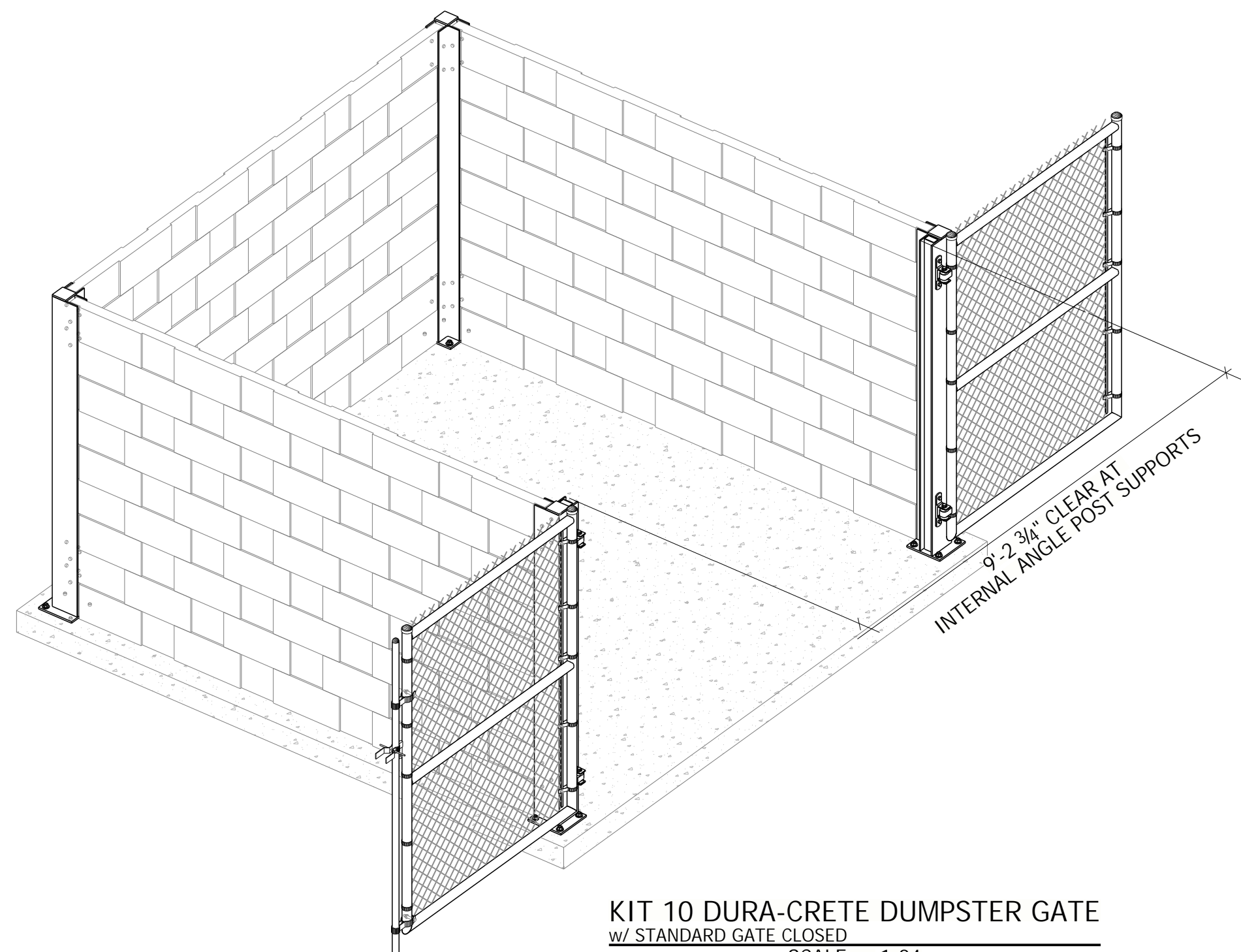


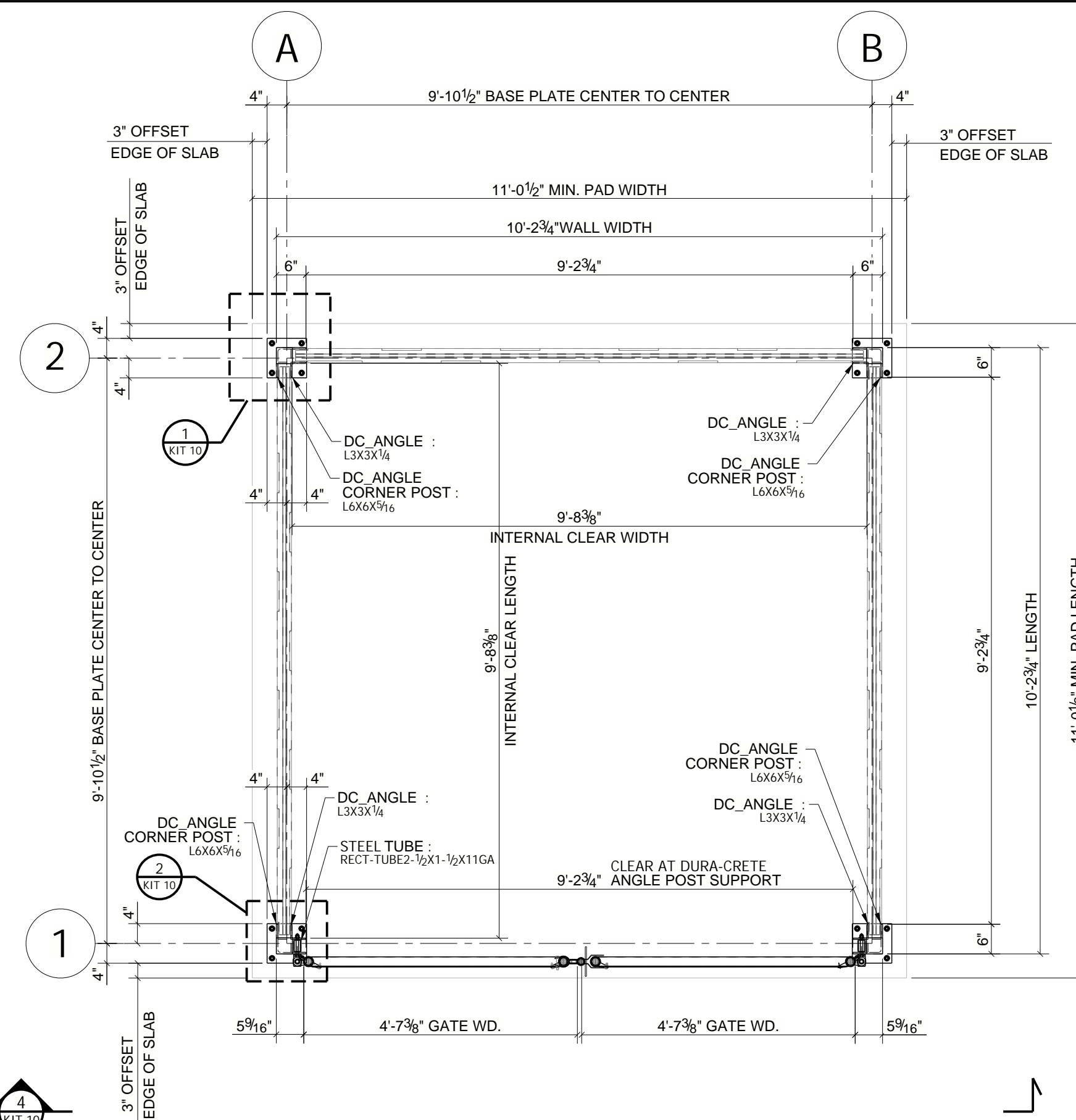
CONCRETE PAD REQUIREMENTS & OFFSET BLOCK SLAT INSTALL
SCALE = 1:24



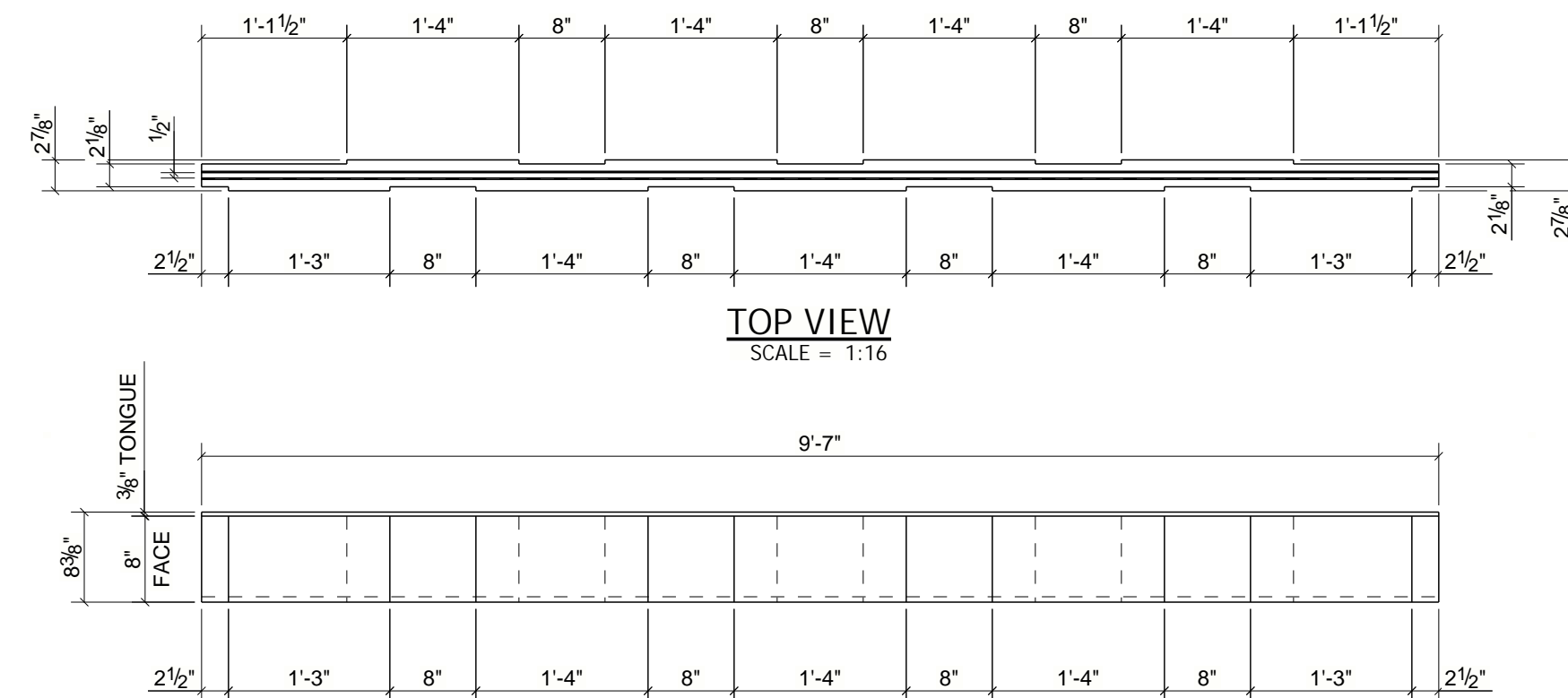
KIT 10 DURA-CRETE DUMPSTER GATE w/ STANDARD GATE CLOSED
SCALE = 1:24



KIT 10 DURA-CRETE DUMPSTER GATE w/ STANDARD GATE CLOSED
SCALE = 1:24

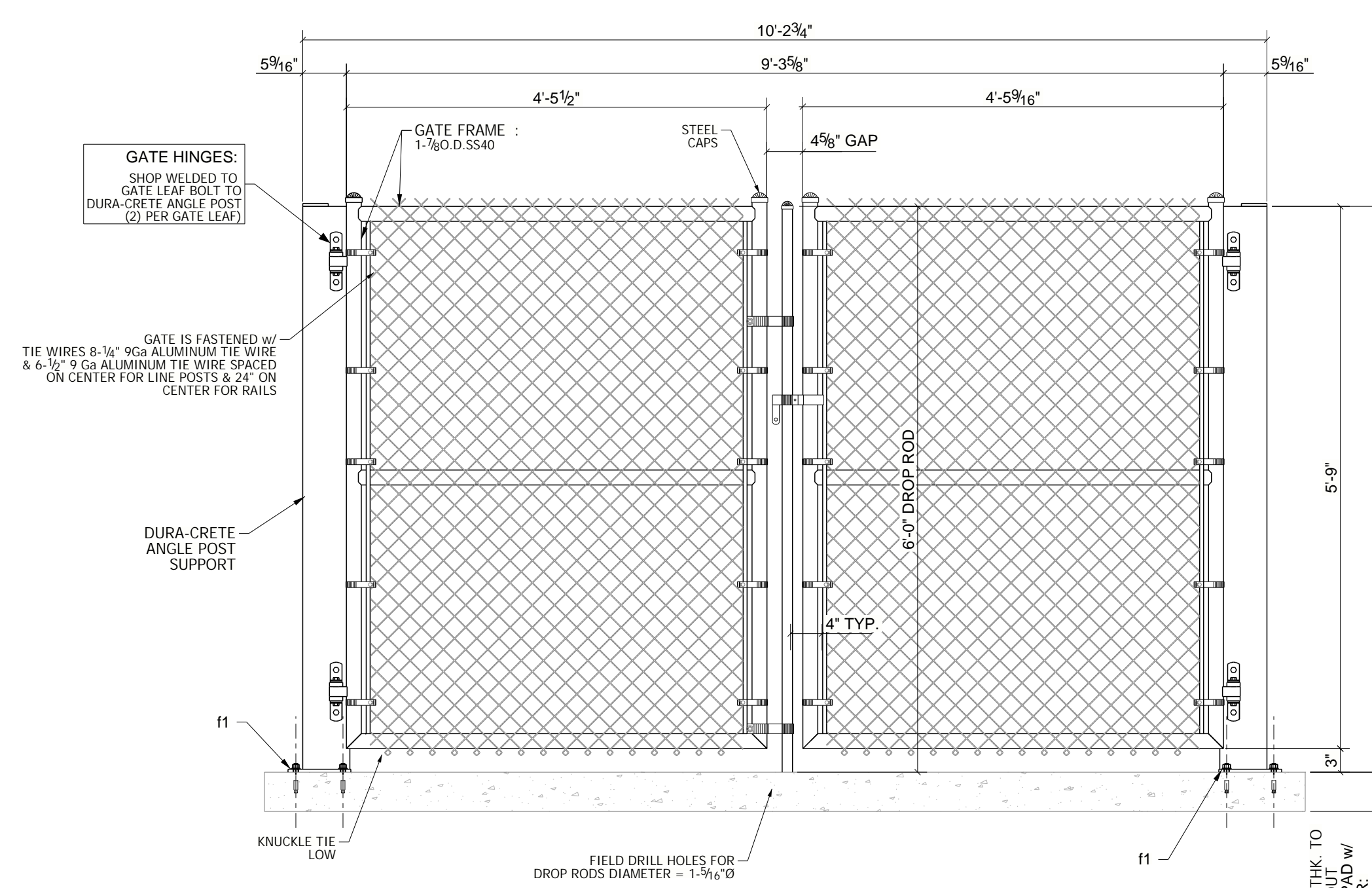


KIT 10 BASE PLATE POSITION PLAN
SCALE = 1:24



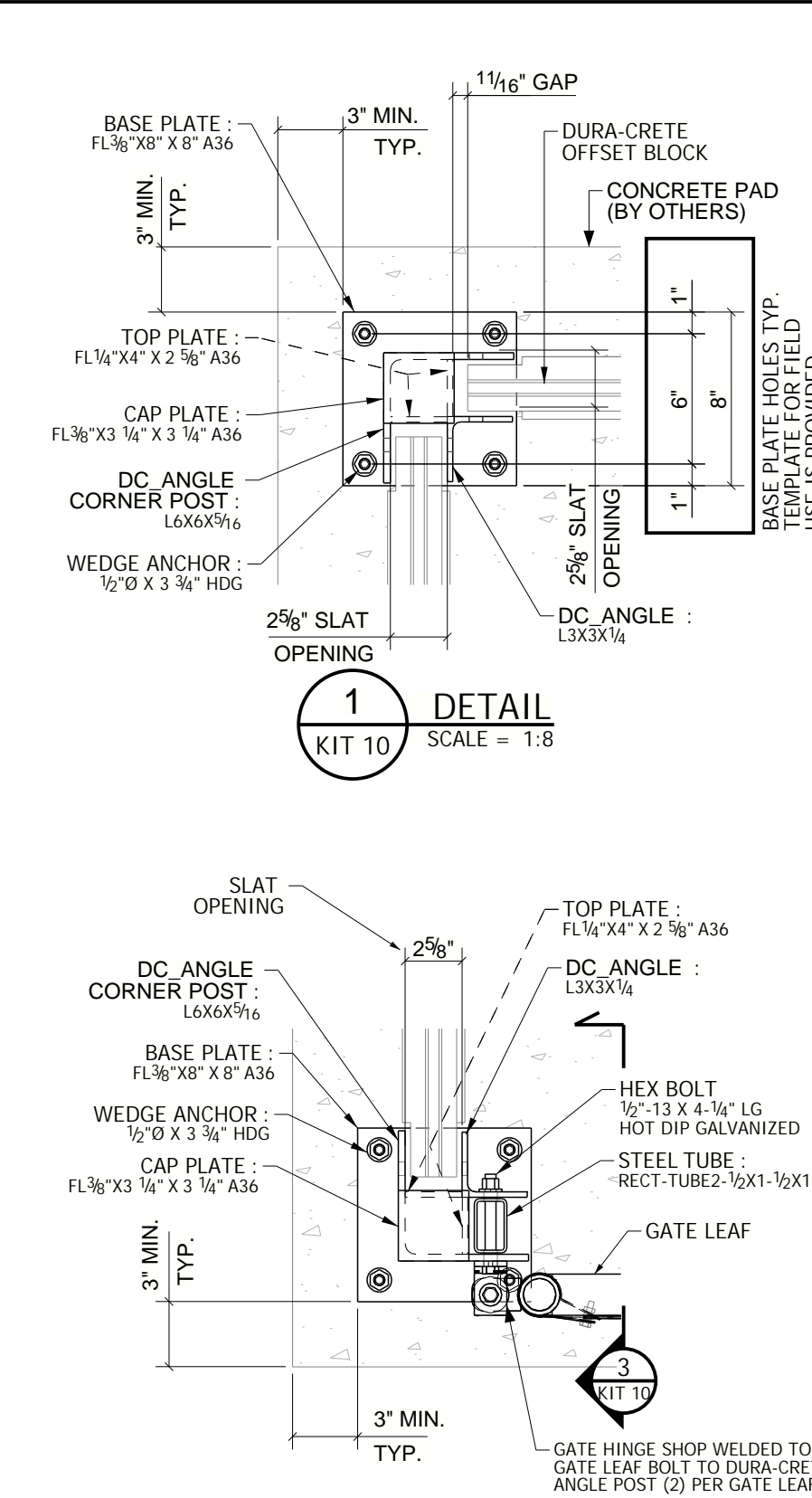
STANDARD OFFSET BLOCK SLAT (TONGUE & GROOVE ASSEMBLY)
SCALE = 1:16

END VIEW
SCALE = 1:4



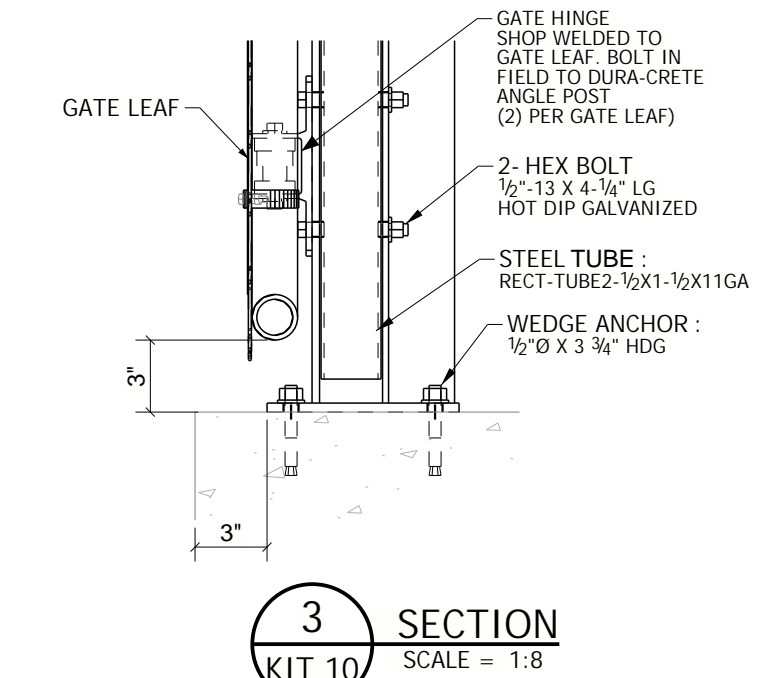
4 SECTION
KIT 10 SCALE = 1:16

MUST HAVE MIN. THK TO RESIST A BREAKOUT UNDER LOAD w/ 1/2"Ø X 3-3/4" LG



1 DETAIL
KIT 10 SCALE = 1:8

2 DETAIL
KIT 10 SCALE = 1:8



3 SECTION
KIT 10 SCALE = 1:8

- **MINIMUM FOUNDATION SPECS AS FOLLOWED:**
 - 16" DIAMETER BY 48" DEEP IN UNDISTURBED SOIL OR INTO BACKFILLED GRANULAR MATERIAL WITH 95% PROCTOR DENSITY COMPACTION.
 - 4000 PSI COMPRESSIVE STRENGTH AT 28 DAYS WITH 5% - 8% AIR ENTRAINMENT AND 5"-7" SLUMP.
 - SOIL CONDITIONS ALLOWABLE AVERAGE SOIL STRESS FOR LATERAL DESIGNS, S1= 1000PSI MIN.
 - STANDARD WIND EXPOSURE CATEGORY B= 90MPH
 - GEOTECHNICAL EVALUATION, SOIL BORING AND SITE TESTING MAY BE REQUIRED PER YOUR CITY'S GUIDELINES.
- **GOVERNING BUILDING CODES:**
 - MICHIGAN BUILDING CODE BASED ON IBC, LATEST EDITION - OCCUPANCY CATEGORY II
- **OTHER APPLICABLE CODES:**
 - ASCE/ SEI 7-05
 - ACI 318-08
 - ANSI/ AISC 360-10

- KIT-10 CONTAINS:**
- (1) BASE PLATE TEMPLATE GA. MATERIAL/SIM)
 - (4) CORNER WALL POSTS
 - (2) RECT-TUBES
 - (27) 115" LG OFFSET BLOCK SLATS
 - (2) GATE PANELS FURNISHED w/ STEEL METAL FABRIC SHOWN
 - (1) DROP ROD ATTACHED TO GATE LEAF
 - (1) WEDGE ANCHORS (HDG) ARE PROVIDED
 - FASTENERS FOR GATE LEAF HINGES PROVIDED

S-SERIES OFFSET BLOCK WALL SPECIFICATIONS
CORNER POST - CP1 = 113lbs
(4) CP1'S REQ'D = 453lbs
115" DURA-CRETE SLAT WT# = 160lbs
QTY OF DURA-CRETE SLATS REQ'D = 9 PER WALL 27 TOTAL
WEIGHT = 1440 POUNDS PER WALL. 4320 POUNDS TOTAL

CONCRETE PAD AND PAD REQUIREMENTS SHOWN ARE INSTALLED w/ VERIFICATION BY OTHERS

ALL EXPOSED STEEL FRAMING IS GALVANIZED. ALL HARDWARE TO HAVE RESISTANCE TO OUTDOOR ELEMENTS

REV	DATE	DESCRIPTION	BY
<p>23450 REGENCY PARK DR. WARREN, MI 48089 P: 586.759.4286 www.duracretewalls.com</p>			
<p>CLIENT: _____</p> <p>ORDER NUMBER: # _____</p> <p>PROJECT NAME: KIT-10 DUMPSTER GATE (10'x10')</p> <p>PROJECT LOCATION: _____</p> <p>STREET: _____</p> <p>CITY: _____</p> <p>STATE: _____</p> <p>PROJECT DESCRIPTION: KIT-10 DUMPSTER GATE w/ 9'-2 3/4" WD GATE</p>			
<p>copyright Dura-Crete Products 2023. patent pending</p>		<p>DRAWN BY: C2M CHECKED BY: RW DATE: 12/08/2023</p>	
<p>SHEET NUMBER: KIT 10</p>			