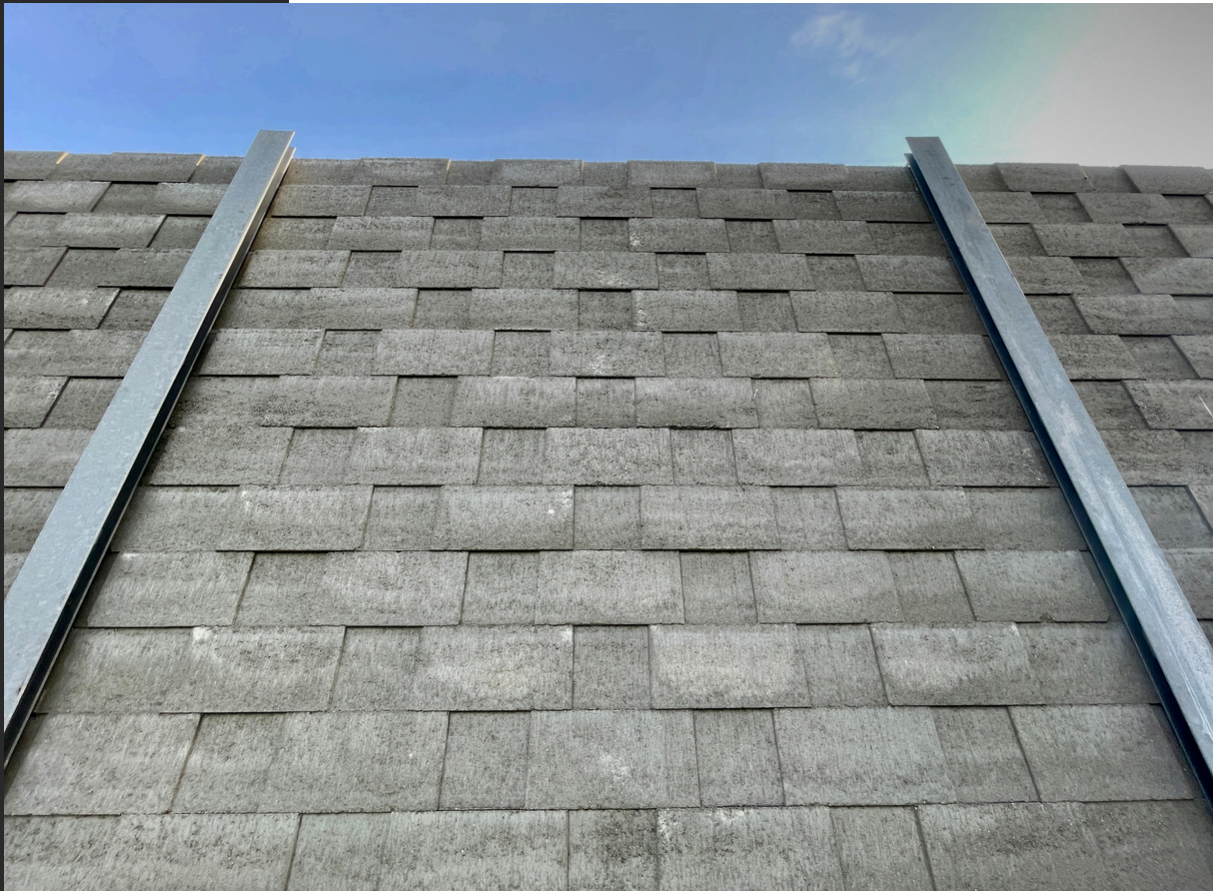


2026

DURA-CRETE
WALLS

INSTALLATION GUIDE

SCREEN WALL - STEEL POSTS



www.duracretewalls.com

TOOLS |

For additional support please
contact us at 586.759.4286 or
info@duracretewalls.com

RECOMMENDED TOOLS

- Laser Level
- Post markers / spray paint
- Guide string
- Auger
- Wrench
- Level - magnetic level recommended
- Impact driver
- Skid steer – forks & boom
- Scissor clamp slab grip
- Chop saw
- Concrete saw blade
- Gloves
- PPE

INSTALLATION STEPS

Layout, measure, and mark fence line and post locations.

Maximum Post Spacing

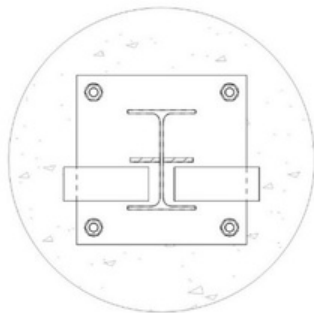
Line/End Post to Line/End Post 9'8" center-to-center post plate

Line/End Post to Corner Post (Channel Face Away) 9'8" center-to-center post plate

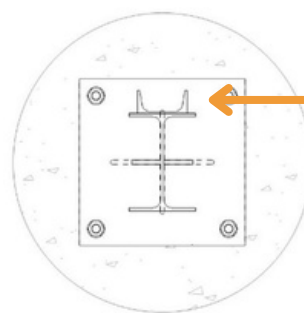
Line/End Post to Corner Post (Channel Face Towards) 9'11" center-to-center post plate

Corner Post (Side Channel) to Corner Post (Side Channel) 10'2" center-to-center post plate

Line/End Post



Corner Post



Side Channel

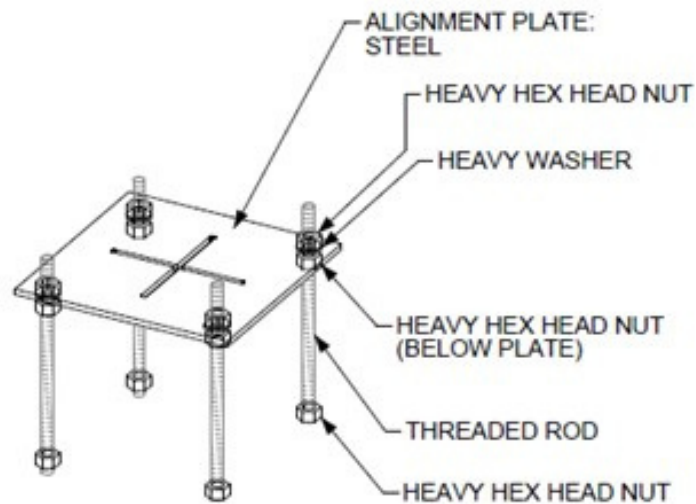
Dig Post Footings –

18" wide x 48" deep* in undisturbed soil or into backfilled granular material with 95% proctor density compaction.

**Footings vary for wall heights over 8'0" and will require engineering.*

Assemble Anchor Rod Set –

Thread (2) hex head nuts onto ½" threaded rods – (1) nut two threads from the bottom of the rod, the other just over 7" above (minimum). Insert 4 rods into the anchor plate so that the plate rests atop the second hex head nut (also referred to as the leveling nut).



Set Post Foundations –

3,000-3,500 PSI compressive strength at 28 days with 3-4" slump.

Use sonotubes if top of footing will be above grade to maintain footing size and shape.

Place anchor rod set with alignment plate into post footing. Ensure anchor plates are aligned, plumb, and level to one another. Make sure access and use of leveling nuts underneath alignment plate will not be obstructed by concrete.

Anchor rods require a minimum 7" embedment in concrete footing.

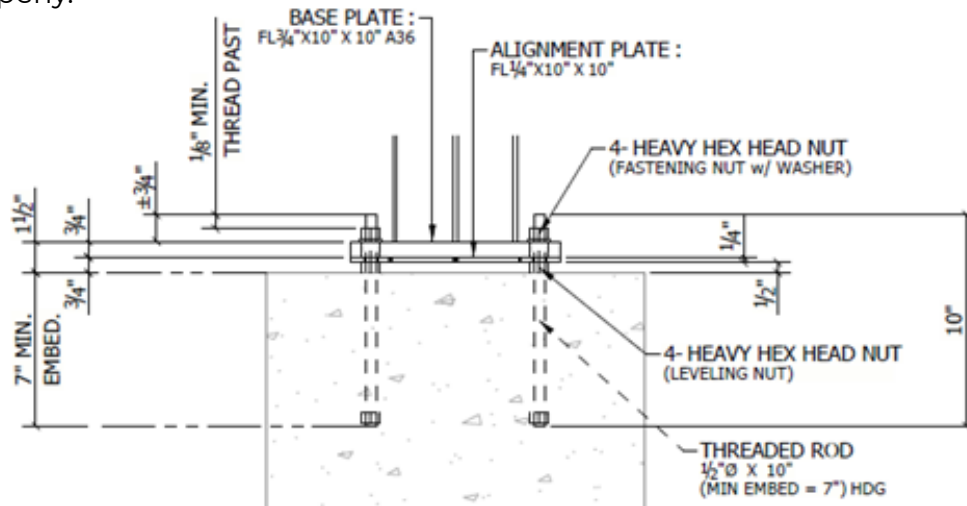
Allow time for concrete to set.

Tip: Run a string line above the footings to maintain alignment along the center of the alignment plates.

Place a bubble level on each plate to confirm level placement

Install Posts –

Place and secure plated posts on anchor rods and alignment plate using one washer and nut per anchor rod. Ensure posts are level and plumb, adjusting leveling nut beneath alignment plate as needed. Once posts are properly aligned, tighten nuts with impact driver and double check posts are still aligned properly.

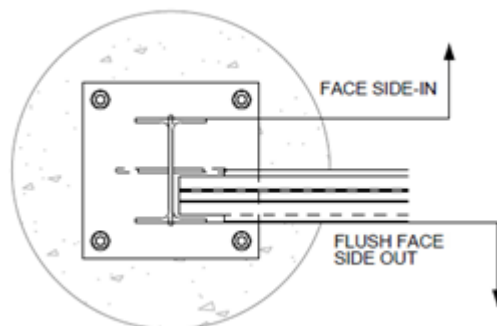


Install Concrete Slats –

Place 1/8" x 2" x 5" rubber slat pads into post channel on baseplate before stacking slats.

Unstrap slat units and **sweep the tops free of debris.**

Using a skid steer, boom arm, and scissor clamp slab grip (rated for a minimum of 175 lbs) lift Dura-Crete Wall slats and lower them into place inside the steel post channel so that the flush side faces outward.



Tip: Have 1-2 people on the ground to guide the slats into proper position. Adjust slat as needed by hand to ensure it is in an even, level, and centered position.

Stack additional slats on top using the tongue & grooved edge to properly align. Groove side should always be along the bottom, tongue side goes on top.

Rotate slats' position/pattern as needed to achieve the correct off-set look.

Continue stacking slats until wall is complete. There will be 9 slats per panel for a 6' tall screen wall.

Additional Details

Short Panels –

Measure, mark, and cut individual slats to size using a chop saw with a concrete saw blade.

Tip: Cut straight line along the side, then cut relief groove along the bottom before cutting down from top.

Notch cut ends as needed to fit inside steel post channel.

It is recommended that all cut ends are kept on the same side of the panel.

Ensure slat rotation as needed before cutting to maintain off-set pattern while keeping all cut ends on the same side of the panel.

Gates –

Insert gate post infill tube into steel post channel on both sides of the gate opening.

Shop weld hinges to gate frame.

Bolt hinges and attach gate latch to posts.