

MINIMUM FOUNDATION SPECS AS FOLLOWED:

1. ALL FOUNDATION WALLS SHALL BE CONSTRUCTED WITH 3000-PSI COMPRESSIVE STRENGTH CONCRETE WITH 95% PROCTOR DENSITY COMPACTION.

2. ALL FOUNDATION WALLS SHALL BE CONSTRUCTED WITH 3000-PSI COMPRESSIVE STRENGTH AT 28 DAYS W/ 3"-4" SLUMP ENCLASURE TYPE DURA-CRETE WALL PLAN IN CASE SEE BELOW FOR ADDITIONAL CONCRETE PAD SPECIFICATION REQUIREMENTS.

3. SOIL CONDITIONS ALLOWABLE AVERAGE SOIL STRESS FOR LATERAL DESIGNS, $S_u = 1000$ PSI MIN.

4. STANDARD WIND EXPOSURE CATEGORY B = 55MPH EXPOSURE CATEGORY C (115 MPH) WIND LOAD INCREASE REQUIRE 9" PAH ENGAGEMENT

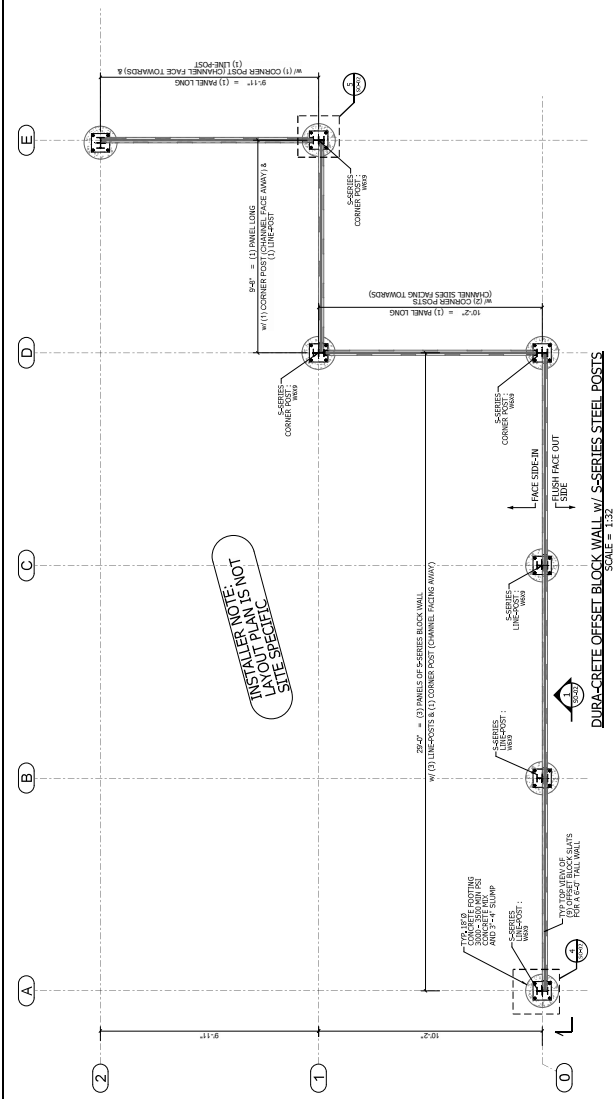
5. GEOTECHNICAL EVALUATION MAY BE REQUIRED PER YOUR CITY'S GUIDELINES.

GOVERNING BUILDING CODES:

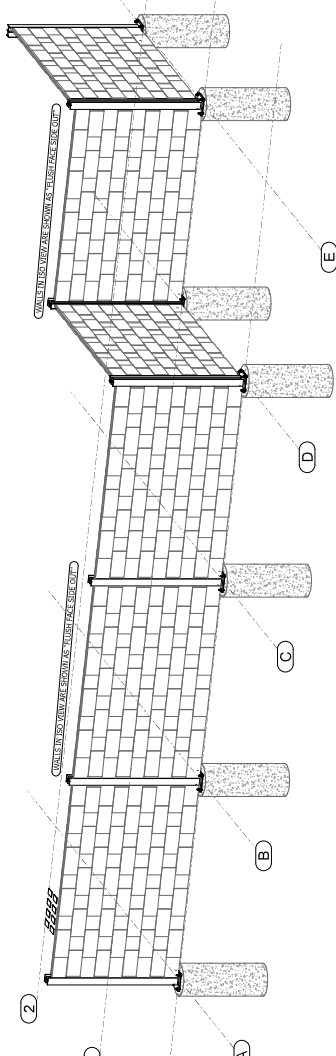
INTERNATIONAL BUILDING CODE (IBC), LATEST EDITION OCCUPANCY CATEGORY I

OTHER APPLICABLE CODES:

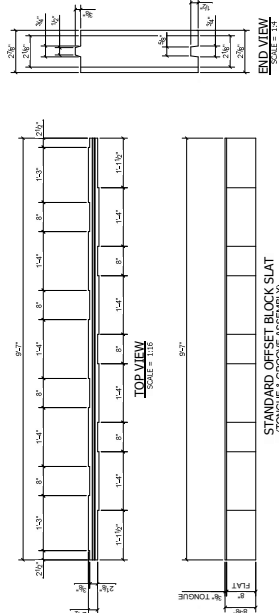
ASCE / SE7-05
 ACI 308.3R-11
 ACI 309.1-10
 IN ACCORDANCE TO IBC 2021



INSTALLER NOTE: LAYOUT PLAN IS NOT SITE SPECIFIC

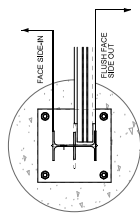


ISO VIEW OF L-SHAPED OFFSET BLOCK WALL
SCALE = 1/32"

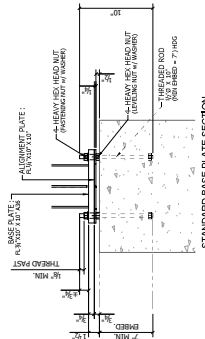


STANDARD OFFSET BLOCK SLAT
DIMENSIONS & TOLERANCES
SCALE = 1/16"

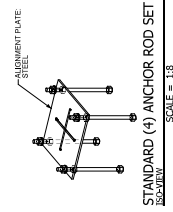
INSTALLER NOTE: BE SURE TO RECONSTRUCTING BEFORE ATTACHING COLUMN TO FOUNDATION WALLS/CONCRETE.



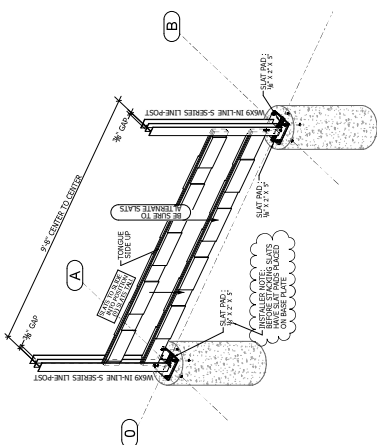
STANDARD TOP DETAIL - FLUSH FACE SIDE OUT
SCALE = 1/8"



STANDARD BASE PLATE SECTION
SCALE = 1/8"



STANDARD (1) ANCHOR ROD SET UP
SCALE = 1/8"



TYP SLAT INSTALL TO ERECTED S-SERIES POSTS
SCALE = 1/2"

S-SERIES OFFSET BLOCK WALL CONCRETE PAD SPECIFICATION REQUIREMENTS.

INCLUDES 4\"/>

S-SERIES OFFSET BLOCK WALL SPECIFICATIONS

DURA-CRETE S-SERIES IN-LINE POST W/P = 9\"/>

DURA-CRETE S-SERIES CORNER POST W/P = 10\"/>

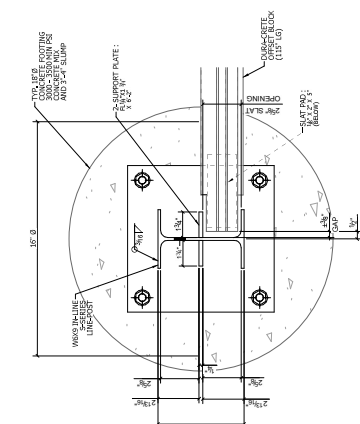
2\"/>

DURA-CRETE SLAT (L17) W/P = 18\"/>

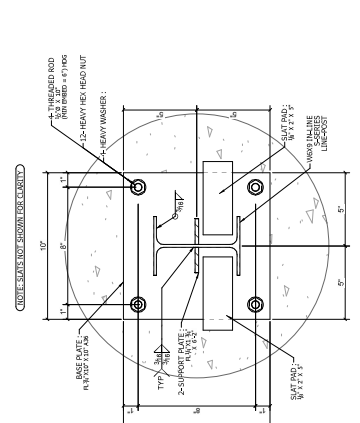
1\"/>

REV	DATE	DESCRIPTION	BY
DURA-CRETE WALLS			
<p>23450 REGENCY PARK DR WARREN, MI 48099 P: 586.753.4266 www.duracretewalls.com</p>			
<p>CLIENT: 23450 REGENCY PARK DR WARREN, MI 48099 P: 586.753.4266 www.duracretewalls.com</p>		<p>ORDER NUMBER: 23450-001 PROJECT LOCATION: WARREN, MI 48099 PROJECT DESCRIPTION: DC EF ST-POST WALL</p>	
<p>PLEASE NOTE: THIS REPRESENTS DURA-CRETE WALLS INTERPRETATION OF THE INTENT OF THE CONTRACT DOCUMENTS. APPROVAL BY THE AUTHORIZED CORP. IS REQUIRED. ANY POST-APPROVAL CHANGES WILL BE CONSIDERED TO BE CHANGES TO DURA-CRETE WALLS CONTRACT.</p>			
<p>DATE OF SUBMITTAL: 08/20/2024 DATE OF REVISION: 08/20/2024</p>		<p>SHEET NUMBER: SO-01</p>	

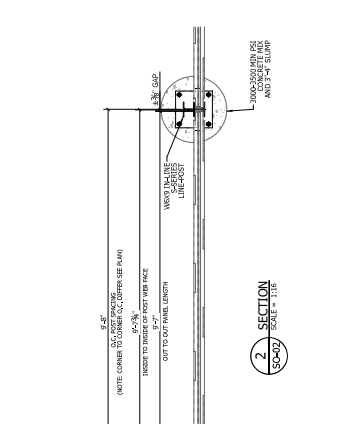




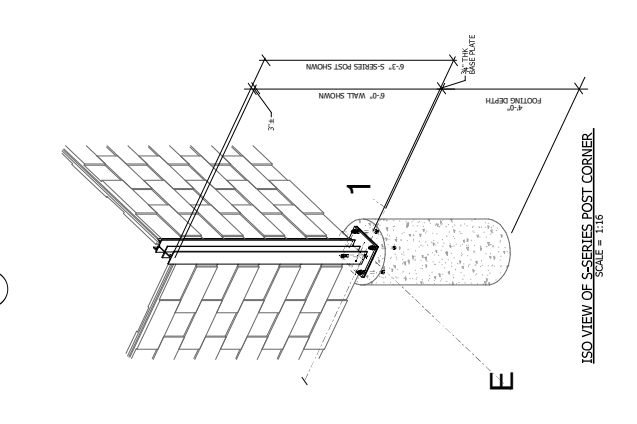
3 TYP. BASE PLATE DETAIL
SCALE = 1/4"



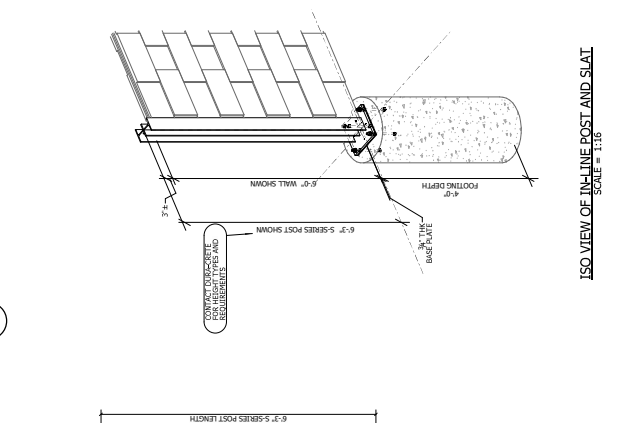
4 TYP. IN-LINE POST DETAIL
SCALE = 1/4"



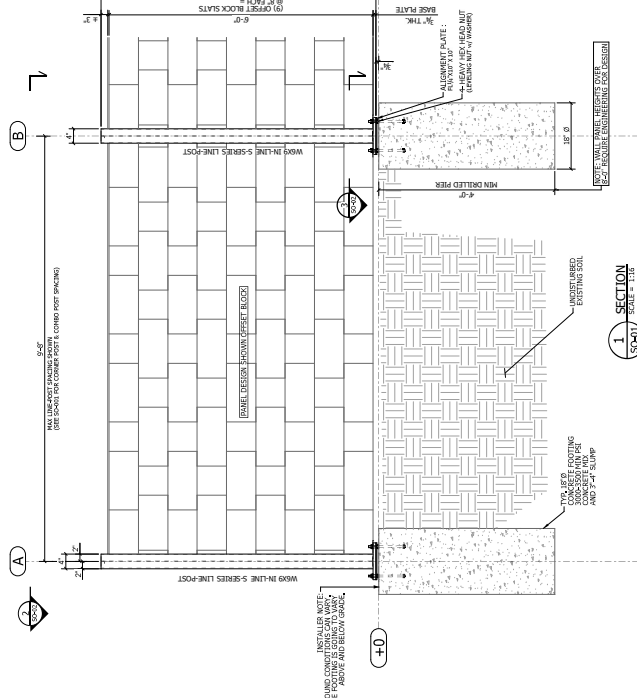
5 TYP. CORNER POST DETAIL
SCALE = 1/4"



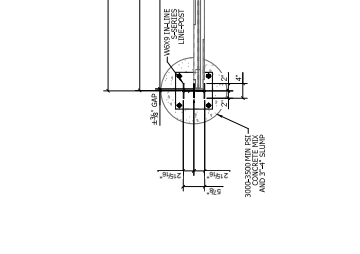
ISO VIEW OF S-SERIES POST CORNER
SCALE = 1/16



ISO VIEW OF IN-LINE POST AND SLAT
SCALE = 1/16



1 SECTION
SCALE = 1/16



2 SECTION
SCALE = 1/16

S-SERIES OFFSET BLOCK WALL SPECIFICATIONS
 DURA-CRETE S-SERIES CORNER POST W/TA = 120lb
 DURA-CRETE S-SERIES IN-LINE POST W/TA = 120lb
 DURA-CRETE S-SERIES IN-LINE WALL PANEL = 12' x 6' x 1/2" (W/TA = 120lb)
 DURA-CRETE SLAT W/TA = 160lb
 W/TA = 160lb (SEE LABEL USE)



REV	DATE	DESCRIPTION
DURA-CRETE WALLS		
<p>23450 REGENCY PARK DR WARREN, MI 48099 P: 586.753.4266 www.duracrete.com</p>		
<p>CLIENT: PC (Concrete Institute) IFA American Fence Association</p>		
<p>ORDER NUMBER: S-SERIES OFFSET BLOCK WALL PANEL DETAIL</p>		
<p>PROJECT LOCATION: PC</p>		
<p>PROJECT DESCRIPTION: DC EF ST-POST WALL</p>		
DATE	BY	SCALE
10/20/2023	10/20/2023	1/16"

SHEET NUMBER: SO-02